

CLIMB 'N DANGLE®
STATIONARY OR MOBILE AVAIL.

INTERACTIVE FAMILY RIDES • INTERACTIVE FAMILY RIDES • INTERACTIVE FAMILY RIDES • INTERACTIVE FAMILY RIDES • INTERACTIVE FAMILY RIDES



The Spectrum Sports™ Climb N Dangle® was the first ever mobile climbing wall on the market. Chances are that you have either climbed or seen one of these walls in your travels, since it was the original mobile climbing wall with Auto-Belay, our Automatic Belay system—exclusive to and manufactured by Spectrum Sports® and used in all of our climbing products. It is the only truly redundant belaying system in existence, allowing for safe, fun, solo climbing. This is the wall that other companies have tried to copy since the first one was produced in Logan, Utah in 1996. The Climb N Dangle® is designed to accommodate 3 people climbing at one time. The Climb N Dangle® is great for birthday parties, carnivals or fairs, grand opening events, special promotions, team building events, nightclubs, etc. Plan on 15 minutes for set-up on this product. The Climb N Dangle® is still the flagship climbing wall on the market today. All Climb N Dangles® are available in 24' mobile or stationary units.



POTENTIAL INCOME:

* These numbers are average estimates. Actual returns vary from location to location, event to event.

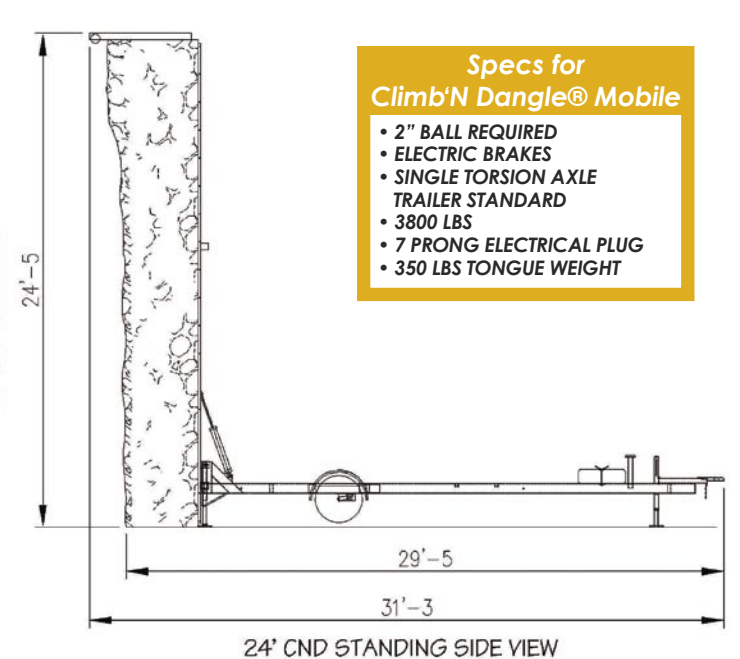
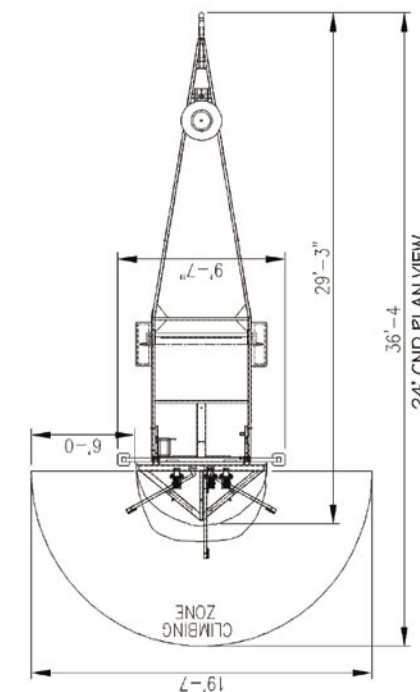
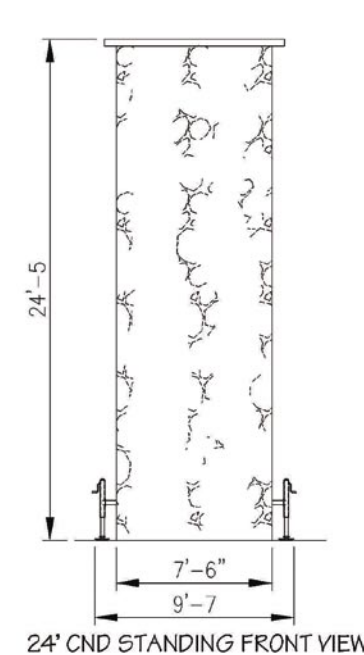
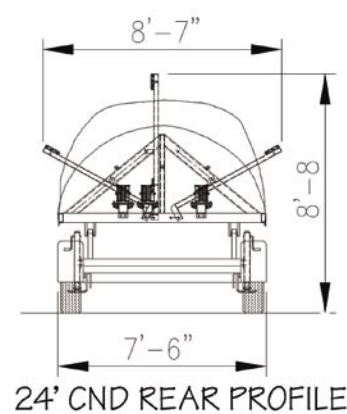
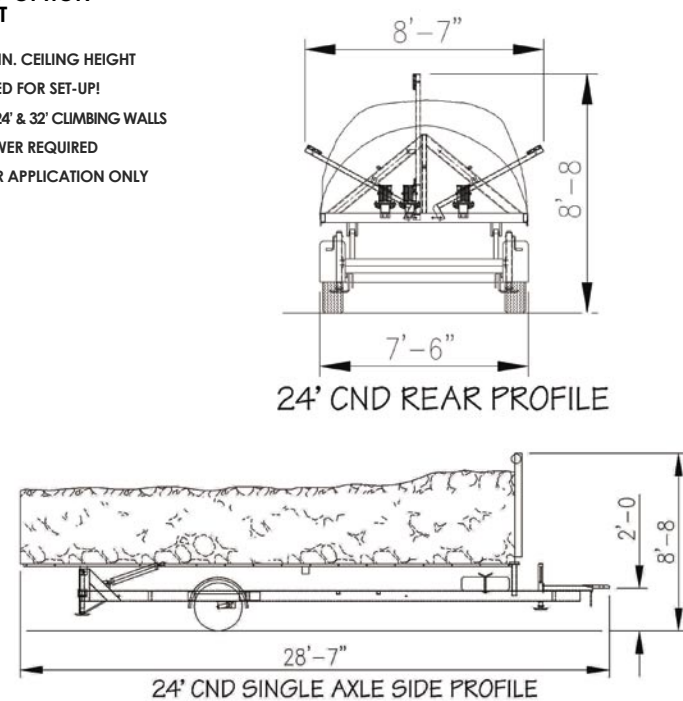
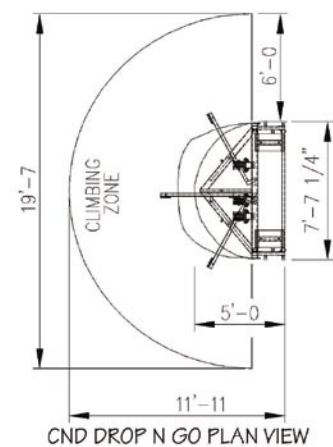
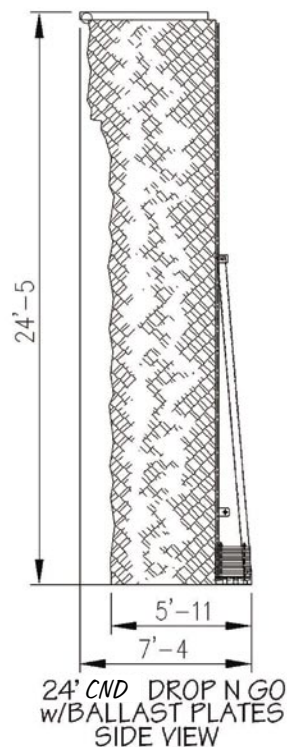
Hours per day	Potential people per hour	Avg. charge per climber	\$ per day	\$ per 30 days	\$ per 60 days	\$ per 90 days
8	40	\$3	\$960	\$28,000	\$57,600	\$86,400
8	40	\$4	\$1280	\$38,400	\$76,800	\$115,200
8	40	\$5	\$1600	\$48,000	\$96,000	\$144,000
10	daily rental	\$800	\$800	\$24,000	\$48,000	\$72,000

BUSINESS PROFILE:

Number of climbers per cycle	3	Avg. time between climbs	30 seconds
Employees required to set up	1	Avg. admission per passenger	\$4 - \$6
Employees required to operate	1	Potential hourly income	\$240 - \$360
Cycle time per climb	2 min.		

**SPECS FOR DROP 'N GO OPTION
STAND ALONE KIT**

- 6'4" DEEP BY 7'6" WIDE FOOTPRINT
- GREAT FOR MALL LOCATION
- NO DRILLING
- EASY SET-UP
- AFFORDABLE UPGRADE
- 25'6" MIN. CEILING HEIGHT REQUIRED FOR SET-UP!
- FITS ALL 24' & 32' CLIMBING WALLS
- NO POWER REQUIRED
- INDOOR APPLICATION ONLY



- Specs for Climb'N Dangle® Mobile**
- 2" BALL REQUIRED
 - ELECTRIC BRAKES
 - SINGLE TORSION AXLE TRAILER STANDARD
 - 3800 LBS
 - 7 PRONG ELECTRICAL PLUG
 - 350 LBS TONGUE WEIGHT